



DG85 the cutting-edge motion detection sensor for both indoor/outdoor applications. It adopts special movement recognition and digital signal processing technology, as well as anti-pets false alarm for offering reliable outdoor perimeter protection.

DG85 has full sealed design which compliant with IP66 waterproof grade, it can withstand raining, pests, dust, wind and sunshine, as well as interferences from other outdoor sources. Since it has special constructure design, allowing user to adjust the position of PIR module to reduce the false alarm which is caused by pets. Different from traditional PIR motion sensors, it has two detection modules which can provide reliable intrusion detection.

DG85 also provides patent 2x2 interlance passive infrared motion detection technology, incorporating with digital signal processing and analysing for accurate and reliable indoor/outdoor motion detection. It offers single or dual edge processing which can allow it work in various environment. The single edge processing can allow sensor meet the requirement in normal environments with minimal sources of interference. Dual edge processing can offer anti-false alarm features.

DG85 is full-featured outdoor motion sensor, it not only offers accurate human movement detection and pet immunity, also comes with tamper recognition, and sensitivity and range settings. It has two different modes which allow user to set through DIP switch. The relay mode can allow it works with traditional alarm system or other security devices; the BUS mode to be compatible with BUS alarm systems.



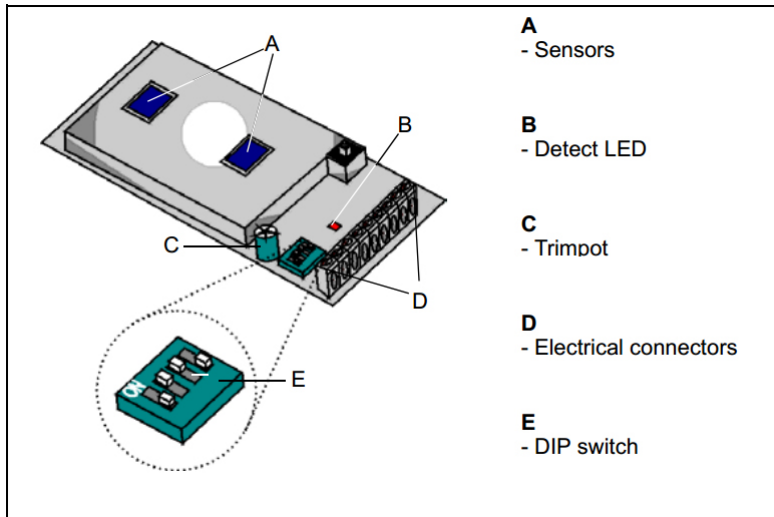
### Weatherproof plus Anti-UV

- Special housing material design to withstand high temperature
- Full-sealed weatherproof design, IP66 rated
- Dual protection for PCB main board
- Advanced fresnel lens design
- Dual optical lens design to filter UV

### Advanced Recognition

- Reliable human movement detection
- Significantly reduce the false alarm (0%)
- 2nd generation Fresnel lens, patent segments
- Patent pet immunity function up to 40KG
- Dual separate PIR motion modules
- Patent digital signal processing technology
- Shield algorithm for smart recognition
- Digital temperature compensation design
- Tamper recognition
- LED on/off for configuration
- Sensitivity adjustment through module position
- Relay alarm output (NC) mode
- "Bus" alarm output mode
- Flexible swivel mount bracket design
- Wide working voltage 9V-16V DC

**Figure 1**

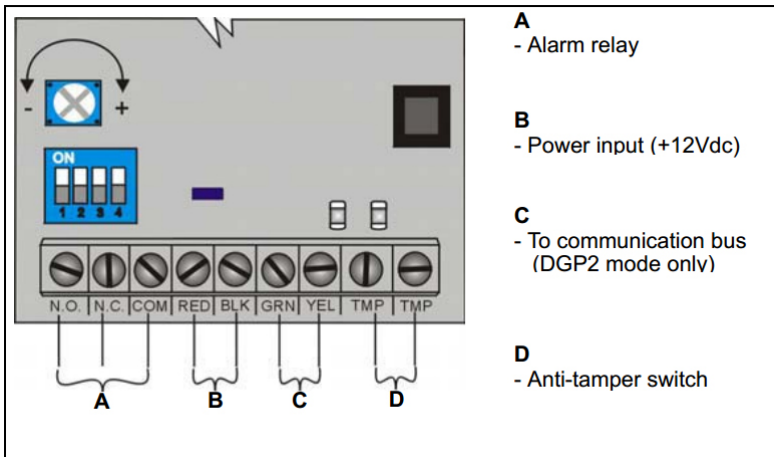


- A**  
- Sensors
- B**  
- Detect LED
- C**  
- Trimpot
- D**  
- Electrical connectors
- E**  
- DIP switch

**Technical**

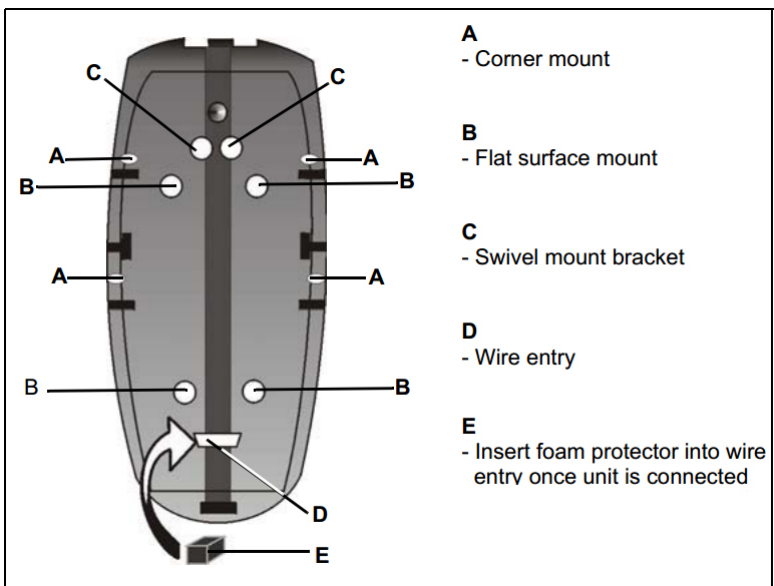
- Sensor type: Two Dual Element Infrared
- Sensor geometry: Rectangular
- Coverage: 90° (standard) 11m x 11m (35ft x 35ft)
- Installation height: 2m to 2.7m (7ft to 9ft)
- Operating temperature: -20°C to +50°C (-4°F to +122°F)
- Voltage input: 10 to 16Vdc
- Current consumption: 30mA Maximum
- Lens: 2nd generation Fresnel lens
- Alarm output:  
Form A relay 100mA/28Vdc, N.C. or optional  
Form C relay 5A/28Vdc, N.C./N.O.
- Anti-tamper switch: 150mA/28Vdc, N.C.
- RFI / EMI rejection: 10V/m
- Detection speed: 0.2m/s to 3.5m/s (0.6ft/s to 11.5ft/s)

**Figure 2**



- A**  
- Alarm relay
- B**  
- Power input (+12Vdc)
- C**  
- To communication bus (DGP2 mode only)
- D**  
- Anti-tamper switch

**Figure 3**



- A**  
- Corner mount
- B**  
- Flat surface mount
- C**  
- Swivel mount bracket
- D**  
- Wire entry
- E**  
- Insert foam protector into wire entry once unit is connected

Telephone: +086-755-28901540  
E-mail: Sales@123anfeng.com

Design and specifications are subject to change without notice.



www.hkvstar.com

**UNIFORE**